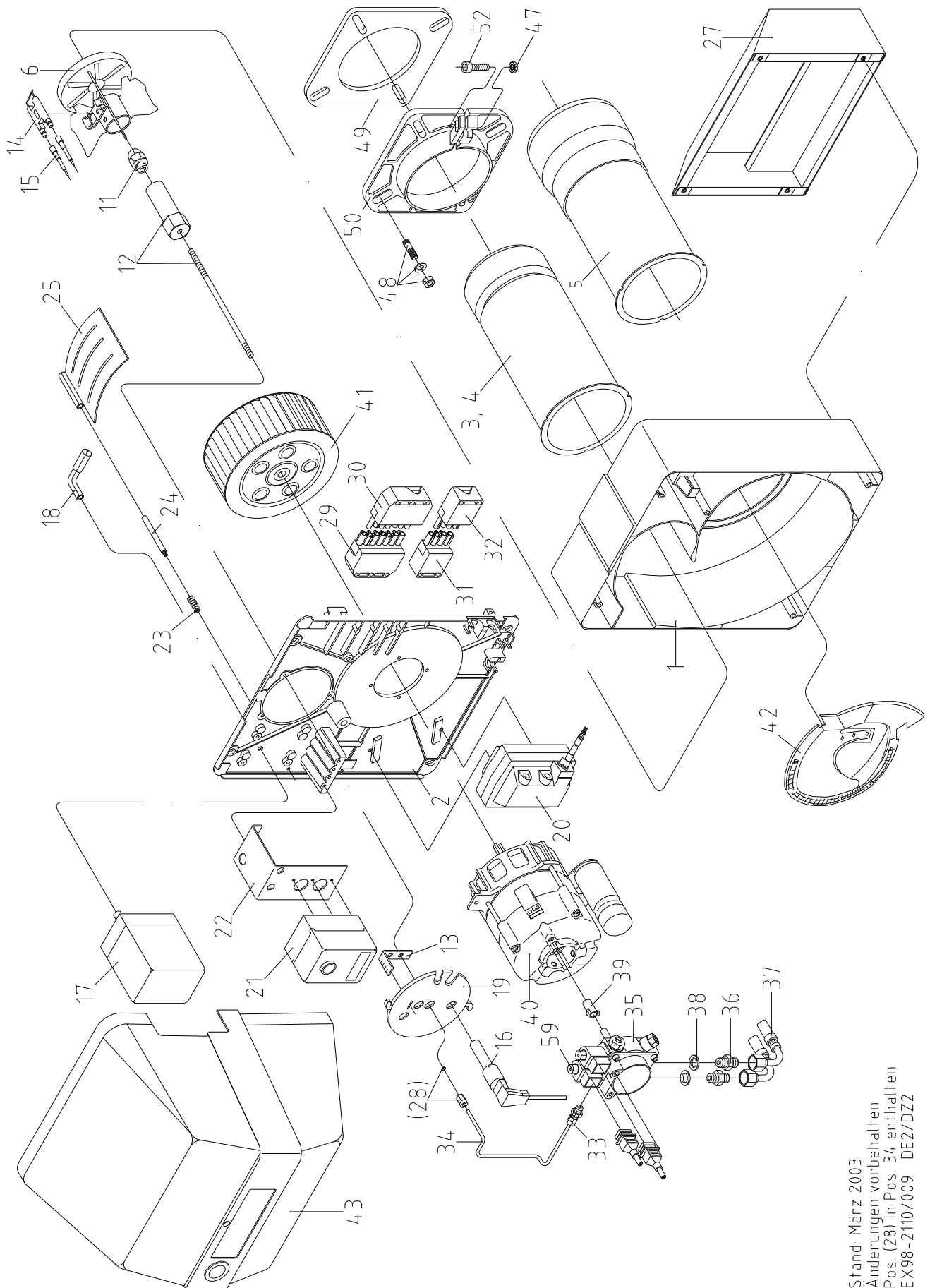


DE 2 / DZ 2



Stand: März 2003
 Änderungen vorbehalten
 Pos. (28) in Pos. 34 enthalten
 EX98-2110/009 DE2/DZ2

| Pos. | | | | | | | | | | | Beschreibung | Sach-Nr. |
|------|-------------|-----------------|-------------|-------------|-------------|-------------|-------------|-------------|-------------|-------------|---|---------------|
| | DE 2.1-2010 | DE 2.1-2020 WLE | DZ 2.1-2110 | DZ 2.1-2120 | DZ 2.1-2130 | DZ 2.1-2140 | DZ 2.2-2210 | DZ 2.2-2220 | DZ 2.3-2310 | DZ 2.3-2320 | | |
| 1 | 1 | 1 | 1 | 1 | 1 | 1 | 1 | 1 | 1 | 1 | Brennergehäuse | 95.21110-1001 |
| 2 | 1 | 1 | 1 | 1 | 1 | 1 | 1 | 1 | 1 | 1 | Gehäusedeckel | 95.21112-1001 |
| 3 | 1 | 1 | 1 | 1 | 1 | 1 | - | - | - | - | Brennerrohr | 95.22240-1001 |
| 3 | 1 | 1 | 1 | 1 | 1 | 1 | - | - | - | - | Brennerrohrverlängerung DZ 2.1 | 95.22240-1056 |
| 4 | - | - | - | - | - | - | 1 | 1 | - | - | Brennerrohr DZ 2.2 | 95.22240-1002 |
| 4 | - | - | - | - | - | - | 1 | 1 | - | - | Brennerrohrverlängerung DZ 2.2 | 95.22240-1060 |
| 5 | - | - | - | - | - | - | - | - | 1 | 1 | Brennerrohr mit Kopf | 95.22240-1003 |
| 5 | - | - | - | - | - | - | - | - | 1 | 1 | Brennerrohrverlängerung DZ 2.3 | 95.22240-1061 |
| 6 | 1 | 1 | 1 | 1 | 1 | 1 | 1 | 1 | - | - | Stauscheibe mit Elektrodenblock | 95.22246-1017 |
| 6 | - | - | - | - | - | - | - | - | 1 | 1 | Stauscheibe mit Elektrodenblock | 95.22246-1018 |
| 11 | 1 | - | 1 | 1 | 1 | 1 | - | - | - | - | Düse 1,50/60 Grd S | 95.23117-6314 |
| 11 | 1 | - | 1 | 1 | 1 | 1 | - | - | - | - | Düse 1,75/60 Grd S | 95.23117-6316 |
| 11 | - | - | 1 | 1 | 1 | 1 | - | - | - | - | Düse 2,00/60 Grd S | 95.23117-6318 |
| 11 | - | - | 1 | 1 | 1 | 1 | - | - | - | - | Düse 2,25/60 Grd S | 95.23117-6319 |
| 11 | - | - | 1 | 1 | 1 | 1 | - | - | - | - | Düse 2,50/60 Grd S | 95.23117-6320 |
| 11 | - | - | 1 | 1 | 1 | 1 | - | - | - | - | Düse 3,00/60 Grd S | 95.23117-6322 |
| 11 | - | - | - | - | - | - | 1 | 1 | - | - | Düse 3,50/60 Grd S | 95.23117-6323 |
| 11 | - | 1 | - | - | - | - | 1 | 1 | - | - | Düse 4,00/60 Grd S | 95.23117-6324 |
| 11 | - | - | - | - | - | - | - | - | 1 | 1 | Düse 4,50/60 Grd S | 95.23117-6325 |
| 11 | - | - | - | - | - | - | - | - | 1 | 1 | Düse 5,00/60 Grd S | 95.23117-6326 |
| 12 | 1 | 1 | 1 | 1 | 1 | 1 | 1 | 1 | 1 | 1 | Düsenhalter mit Rohr DZ 2 | 95.23135-1000 |
| 14 | 1 | 1 | 1 | 1 | 1 | 1 | 1 | 1 | 1 | 1 | Zündelektrodenblock | 95.24236-3004 |
| 15 | 2 | 2 | 2 | 2 | 2 | 2 | 2 | 2 | 2 | 2 | Zündkabel mit Stecker | 95.24200-1003 |
| 16 | 1 | - | 1 | 1 | 1 | 1 | 1 | 1 | 1 | 1 | Infrarot-Überwachung IRD 1010.1, rechts, blau, m. Kabel | 95.95214-0058 |
| 16 | 1 | - | 1 | 1 | 1 | 1 | 1 | 1 | 1 | 1 | Fühlerkabel | 95.95110-0016 |
| 16 | 1 | 1 | 1 | 1 | 1 | 1 | 1 | 1 | 1 | 1 | Fotowiderstand MZ 770 S einschl. Steckerkabel 500 mm | 95.95214-0011 |
| 17 | - | - | 1 | 1 | 1 | 1 | 1 | 1 | 1 | 1 | Stellmotor LKS 120 [bis 04.1993] | 95.95263-0003 |
| 17 | - | - | 1 | 1 | 1 | 1 | 1 | 1 | 1 | 1 | Stellmotor LKS 130 [ab 04.1993] | 95.95263-0006 |
| 18 | - | - | 1 | 1 | 1 | 1 | 1 | 1 | 1 | 1 | Hebel für Luftklappe kompl. | 95.21174-1008 |
| 19 | 1 | 1 | 1 | 1 | 1 | 1 | 1 | 1 | 1 | 1 | Flanschdeckel | 95.21112-1011 |
| 19 | 1 | 1 | 1 | 1 | 1 | 1 | 1 | 1 | 1 | 1 | Schauglas blau mit Sprengring | 95.20225-4053 |
| 20 | 1 | 1 | 1 | 1 | 1 | 1 | 1 | 1 | 1 | 1 | Zündtrafo 10/20 CM mit Kabel | 95.95272-0018 |
| 21 | 1 | - | - | - | - | - | - | - | - | - | Ölfeuerungsautomat TF 801.2 | 95.95249-0002 |
| 21 | 1 | - | - | - | - | - | - | - | - | - | Ölfeuerungsautomat TF 801.1 | 95.95249-0006 |
| 21 | 1 | - | - | - | - | - | - | - | - | - | Ölfeuerungsautomat TF 830.3 | 95.95249-0036 |
| 21 | - | - | 1 | 1 | 1 | 1 | 1 | 1 | 1 | 1 | Ölfeuerungsautomat TF 802.2 | 95.95249-0003 |
| 21 | - | - | 1 | 1 | 1 | 1 | 1 | 1 | 1 | 1 | Ölfeuerungsautomat TF 832.3 | 95.95249-0037 |
| 21 | - | 1 | - | - | - | - | - | - | - | - | Ölfeuerungsautomat DKW 972 | 95.95249-0038 |

| Pos. | DE 2.1-2010 | DE 2.1-2020 | WLE | DZ 2.1-2110 | DZ 2.1-2120 | DZ 2.1-2130 | DZ 2.1-2140 | DZ 2.2-2210 | DZ 2.2-2220 | DZ 2.3-2310 | DZ 2.3-2320 | Beschreibung | Sach-Nr. |
|------|-------------|-------------|-----|-------------|-------------|-------------|-------------|-------------|-------------|-------------|-------------|--|---------------|
| | | | | | | | | | | | | | |
| 23 | 1 | 1 | 1 | 1 | 1 | 1 | 1 | 1 | 1 | 1 | 1 | Feder für Luftklappe | 95.21171-1001 |
| 24 | 1 | 1 | 1 | 1 | 1 | 1 | 1 | 1 | 1 | 1 | 1 | Luftklappenachse DZ 2 | 95.21176-1003 |
| 25 | 1 | 1 | 1 | 1 | 1 | 1 | 1 | 1 | 1 | 1 | 1 | Luftklappe DZ 2 | 95.21118-1005 |
| 27 | 1 | 1 | 1 | 1 | 1 | 1 | 1 | 1 | 1 | 1 | 1 | Ansaugschalldämpfer kompl. | 95.21116-1003 |
| 29 | 1 | 1 | 1 | 1 | 1 | 1 | 1 | 1 | 1 | 1 | 1 | Buchse mit Kabel, 7-polig | 95.24200-1008 |
| 30 | 1 | 1 | 1 | 1 | 1 | 1 | 1 | 1 | 1 | 1 | 1 | Gegenstecker (Kessel) | 95.95216-0002 |
| 31 | - | - | 1 | 1 | 1 | 1 | 1 | 1 | 1 | 1 | 1 | Buchse mit Kabel, 4-polig | 95.24200-1010 |
| 32 | - | - | 1 | 1 | 1 | 1 | 1 | 1 | 1 | 1 | 1 | Steckerteil, grün, kompl. | 95.95112-0040 |
| 33 | 1 | 1 | 1 | 1 | 1 | 1 | 1 | 1 | 1 | 1 | 1 | Ger. Ein-Verschraubung Rp 1/8 | 95.99385-0085 |
| 34 | 1 | 1 | 1 | 1 | 1 | 1 | 1 | 1 | 1 | 1 | 1 | Ölrohr kompl. [ab 1997] | 95.23144-1023 |
| 35 | 1 | 1 | - | - | - | - | - | - | - | - | - | Ölpumpe BFP 21 L5 | 95.91100-0058 |
| 35 | - | - | 1 | 1 | 1 | 1 | 1 | 1 | 1 | 1 | 1 | Ölpumpe AT 3/55D [ab 1997] | 95.91100-0050 |
| 35 | - | - | 1 | 1 | 1 | 1 | 1 | 1 | 1 | 1 | 1 | Ölpumpe AT 2/55 [bis 1996] | 95.91100-0049 |
| 37 | 2 | 2 | 2 | 2 | 2 | 2 | 2 | 2 | 2 | 2 | 2 | Silberschlauch | 95.91149-0029 |
| 38 | 2 | 2 | 2 | 2 | 2 | 2 | 2 | 2 | 2 | 2 | 2 | Dichtring 13x18, Cu | 95.99187-0001 |
| 39 | 1 | 1 | 1 | 1 | 1 | 1 | 1 | 1 | 1 | 1 | 1 | Kupplungsstück 1-flächig | 95.26233-0019 |
| 39 | 1 | 1 | 1 | 1 | 1 | 1 | 1 | 1 | 1 | 1 | 1 | Kupplungsstück 2-flächig [ab 2006] | 95.26233-0027 |
| 40 | 1 | 1 | 1 | 1 | 1 | 1 | 1 | 1 | 1 | 1 | 1 | E-Motor mit Kondensator, 240 W | 95.95262-0011 |
| 40 | 1 | 1 | 1 | 1 | 1 | 1 | 1 | 1 | 1 | 1 | 1 | Kondensator 8 müF | 95.95276-0008 |
| 41 | 1 | 1 | 1 | 1 | 1 | 1 | 1 | 1 | 1 | 1 | 1 | Gebälserad, 160x69 mm | 95.26229-0030 |
| 42 | 1 | 1 | 1 | 1 | 1 | 1 | 1 | 1 | 1 | 1 | 1 | Lufteinlaufdüse | 95.21117-1007 |
| 43 | 1 | 1 | 1 | 1 | 1 | 1 | 1 | 1 | 1 | 1 | 1 | Brennerhaube RE/DZ2, saphirblau | 95.21111-1001 |
| 44 | 1 | 1 | 1 | 1 | 1 | 1 | 1 | 1 | 1 | 1 | 1 | Distanzstück für Haube | 95.21199-1003 |
| 45 | 1 | 1 | 1 | 1 | 1 | 1 | 1 | 1 | 1 | 1 | 1 | Drucktaster | 95.21100-0015 |
| 47 | 1 | 1 | 1 | 1 | 1 | 1 | 1 | 1 | 1 | 1 | 1 | Sechskantmutter, M8 | 95.99196-0008 |
| 48 | 1 | 1 | 1 | 1 | 1 | 1 | 1 | 1 | 1 | 1 | 1 | Satz Brennerbefestigung | 95.90100-1001 |
| 49 | 1 | 1 | 1 | 1 | 1 | 1 | 1 | 1 | 1 | 1 | 1 | Brennerkopfdichtung | 95.22287-1005 |
| 50 | 1 | 1 | 1 | 1 | 1 | 1 | 1 | 1 | 1 | 1 | 1 | Klemmflansch RE/RZ/DZ/GZ 2 | 95.22232-1001 |
| 52 | 1 | 1 | 1 | 1 | 1 | 1 | 1 | 1 | 1 | 1 | 1 | Zylinderschraube, M8x25 | 95.99194-0825 |
| 59 | 1 | 1 | 1 | 1 | 1 | 1 | 1 | 1 | 1 | 1 | 1 | Magnetventil, Suntec, für Pumpe AS 47/AT2-3 | 95.95277-0029 |
| 59 | 1 | 1 | 1 | 1 | 1 | 1 | 1 | 1 | 1 | 1 | 1 | Magnetventil, Danfoss, für Pumpe BFP 21 /BFP 52 LN | 95.95277-0012 |
| 59 | 1 | 1 | 1 | 1 | 1 | 1 | 1 | 1 | 1 | 1 | 1 | Magnetventil-Spule, Suntec, für Pumpe AS 47 | 95.95277-0004 |
| 59 | 1 | 1 | 1 | 1 | 1 | 1 | 1 | 1 | 1 | 1 | 1 | Magnetventil-Spule, Danfoss, für Pumpe BFP 21 /BFP 52 LN | 95.95277-0013 |
| 59 | 1 | 1 | 1 | 1 | 1 | 1 | 1 | 1 | 1 | 1 | 1 | Magnetventilkern; Danfoss, für Pumpe BFP 21/52 LN | 95.95277-0033 |
| 60 | 1 | 1 | - | - | - | - | - | - | - | - | - | Filterpatrone mit O-Ring, BFP 21, Danfoss | 95.91340-0011 |
| o.A. | 1 | 1 | 1 | 1 | 1 | 1 | 1 | 1 | 1 | 1 | 1 | Klemmblech für Silberschlauch | 95.21160-0019 |